



IP65 Digital Indicators

407 Series



407-02-5



407-01-4



Lifting lever

FEATURES

- Resolution:
Inch: .0005"/.00005"
Metric: 0.01mm; 0.001mm
- Absolute measurement
- Tolerance measurement feature allows for the upper and lower tolerance for maximum and minimum.
- Inch / Metric and ABS / INC conversion
- Flat back (attached) and lug back supplied
- Ø8mm stem diameter for metric models
Ø3 / 8" stem diameter for inch models
- 330 deg. screen rotation
- Cable data output: 900-07-0 / 1
- Wireless data output:
Transmitting Device : 901-00-2 / 7
Receiver Device: 901-00-3

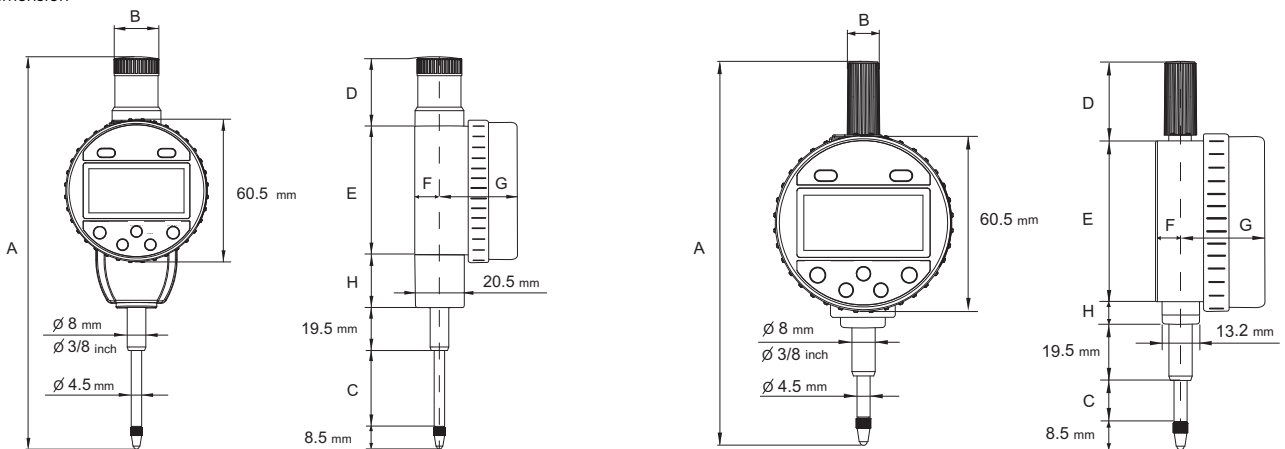
STANDARD ACCESSORIES

- Lug Back, Battery, Lifting lever (More than 1 inch)
- Warranty card, Instruction manual, Calibration certificate

SPECIFICATIONS

Inch			Metric			Inch		Metric	
Range	Resolution	Accuracy	Range	Resolution	Accuracy	Code No.	Code No.		
0-.5"	.0005"	±.0015"	0-12.5mm	0.01mm	0.02mm	407-01-3	407-01-2		
0-1"	.0005"	±.0015"	0-25mm	0.01mm	0.02mm	407-02-3	407-02-2		
0-2"	.0005"	±.0015"	0-50mm	0.01mm	0.02mm	407-03-3	407-03-2		
0-.5"	.00005"	±.00015"	0-12.5mm	0.001mm	0.004mm	407-01-5	407-01-4		
0-1"	.00005"	±.00015"	0-25mm	0.001mm	0.005mm	407-02-5	407-02-4		
0-2"	.00005"	±.0002"	0-50mm	0.001mm	0.006mm	407-03-5	407-03-4		

Dimension



Range	A	B	C	D	E	F	G	H
	mm	mm	mm	mm	mm	mm	mm	mm
0-0.5"/0-12.5mm	137	11	13.5	30	60.5	8.5	31.5	5
0-1"/0-25mm	166.5	19.2	31.5	28	56.5	11	33.2	22.5
0-2"/0-50mm	244	19.2	56	54.5	56.5	11	33.2	49