



Vernier Height Gauges

621 Series



621-24-0

FEATURES

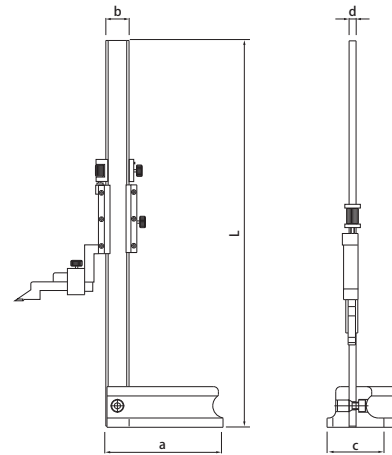
- Graduation:
Inch: .001" or 1/128"
Metric: 0.02mm or 0.05mm
- The fine-adjustment allows the slider to be precisely positioned
- Matte chrome finish
- Stainless steel design
- The base is designed with a thermal heat isolation hand grip

STANDARD ACCESSORIES

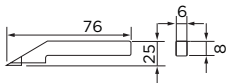
- Carbide tipped scriber with clamp
- Warranty card, Instruction manual, Calibration certificate

SPECIFICATIONS

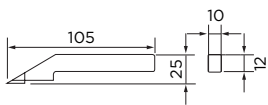
Inch			Metric			Code No.
Range	Graduation	Accuracy	Range	Graduation	Accuracy	
0-8"	1/128"	± .0015"	0-200mm	0.05mm	± 0.05mm	621-08-0L
0-12"	1/128"	± .0015"	0-300mm	0.05mm	± 0.05mm	621-12-0L
0-12"	1/128"	± .0015"	0-300mm	0.05mm	± 0.05mm	621-12-0
0-20"	1/128"	± .0015"	0-500mm	0.05mm	± 0.08mm	621-20-0
0-24"	1/128"	± .0020"	0-600mm	0.05mm	± 0.10mm	621-24-0
0-40"	1/128"	± .0020"	0-1000mm	0.05mm	± 0.10mm	621-40-0
0-8"	.001"	± .0015"	0-200mm	0.02mm	± 0.03mm	621-08-2L
0-12"	.001"	± .0015"	0-300mm	0.02mm	± 0.04mm	621-12-2L
0-12"	.001"	± .0015"	0-300mm	0.02mm	± 0.04mm	621-12-2
0-20"	.001"	± .0015"	0-500mm	0.02mm	± 0.05mm	621-20-2
0-24"	.001"	± .0020"	0-600mm	0.02mm	± 0.07mm	621-24-2
0-40"	.001"	± .0020"	0-1000mm	0.02mm	± 0.07mm	621-40-2



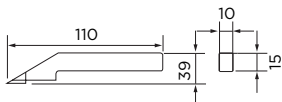
Dimension



For: 621-08-0L 621-08-2L
621-12-0L 621-12-2L



For: 621-12-0 621-12-2
621-20-0 621-20-2
621-24-0 621-24-2



For: 621-40-0 621-40-2

Code No.	a	b	c	d	L
621-08-0L/2L	135mm	20mm	80mm	6mm	330mm
621-12-0L/2L	135mm	20mm	80mm	6mm	430mm
621-12-0/2	175mm	30mm	115mm	10.5mm	520mm
621-20-0/2	175mm	30mm	115mm	10.5mm	720mm
621-24-0/2	175mm	30mm	115mm	10.5mm	820mm